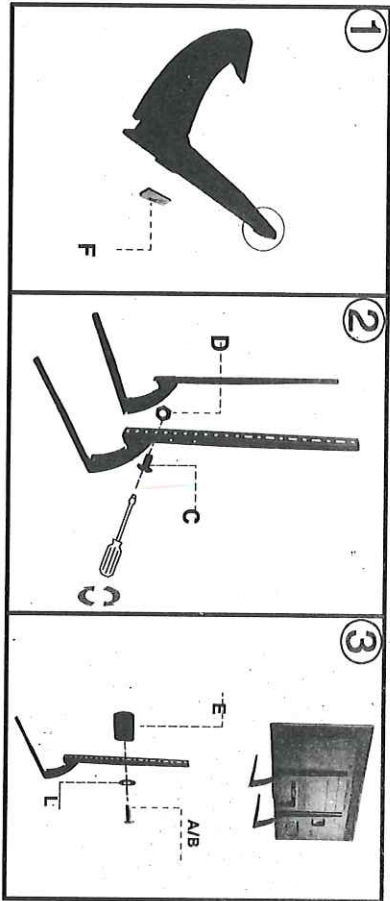


Installation Instruction

MODELS: TV01 / TV02

Two Styles



A		B		C		D		E	
F		G		H		J			

