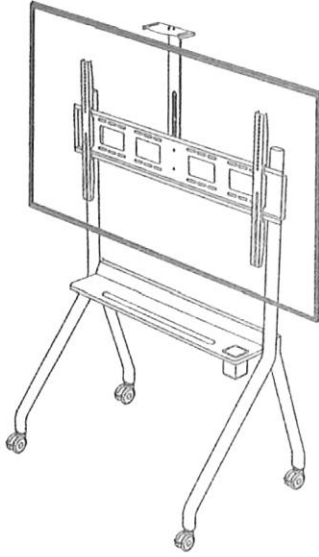


Mobile TV Stand



Parts package

A Wrench		F Spacer		(Four pieces)	
B Allen wrench		G Flat washer		(Fourteen pieces)	
C Screw		M8x25 (Four pieces)	H Screw		M8x20 (Ten pieces)
D Screw		M6x25 (Four pieces)			
E Screw		M6x60 (Upgraded version - Unused parts) (Two pieces)	Wheel (Four pieces)		
		M5x10 (Four pieces)			
		M6x10 (Two pieces)			
		M5x8 (Two pieces) (countersunk screw)			

⚠ Precautions when installing

- Do not install over the rated weight.
Damage such as breakage may occur.
- Even if the TV meets the maximum size and weight, the vertical size of the screen is so large that it may be difficult to install it on the center shelf, so it is recommended that you measure the vertical size of the TV first before installing it, and then install the main TV stand.
- When you fix each bolt to the TV or TV stand, if possible, avoid electric drivers and tighten them manually. Too much force may be applied, causing damage to the screws or breakage.

KM-RT42



Recommended TV size
86"
MAX



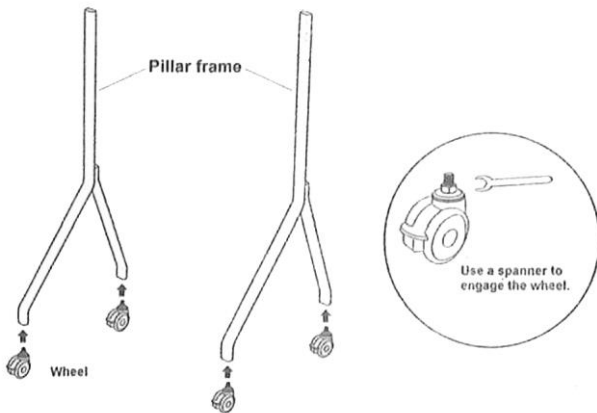
KM-RT43



Recommended TV size
120"
MAX

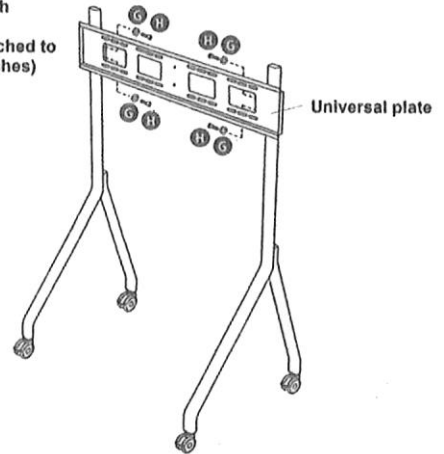


1. Pillar frame + wheel assembly



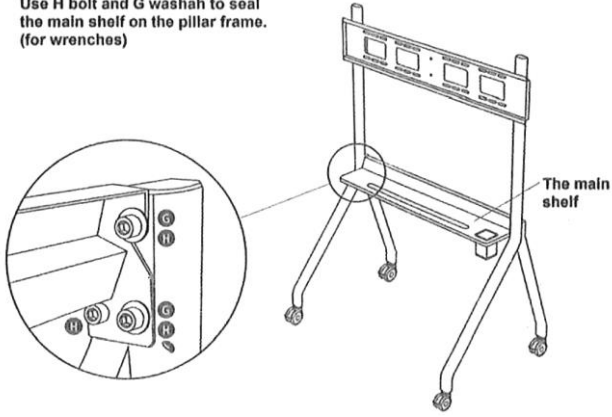
2. Assembly of pillar frame + universal plate

Using H volt and G Washah
To the desired height
The universal plate is attached to
the pillar frame. (for wrenches)

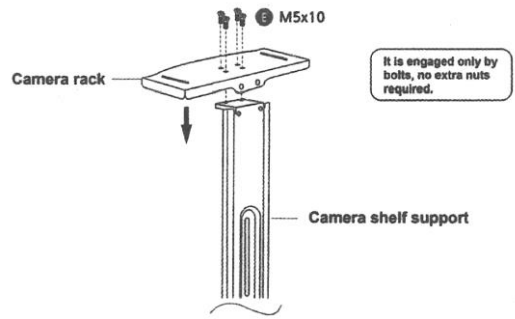


3. Main lathe assembly

Use H bolt and G washah to seal the main shelf on the pillar frame. (for wrenches)

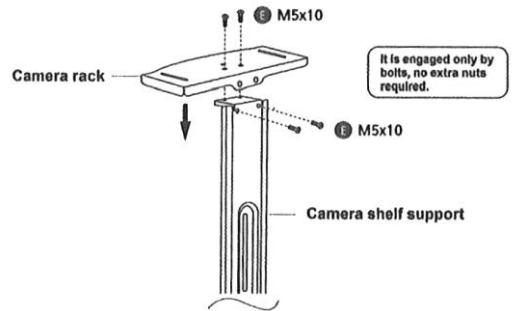


4. Camera shelf assembly



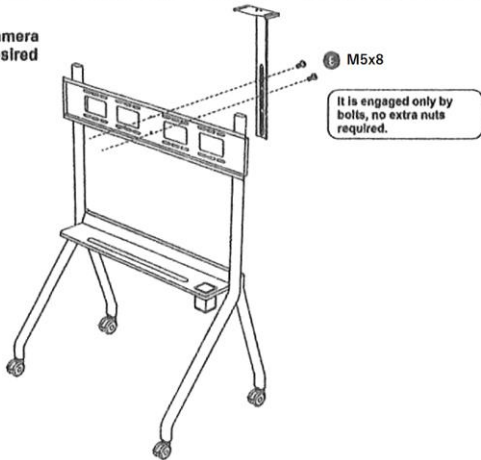
OR

4. Camera shelf assembly

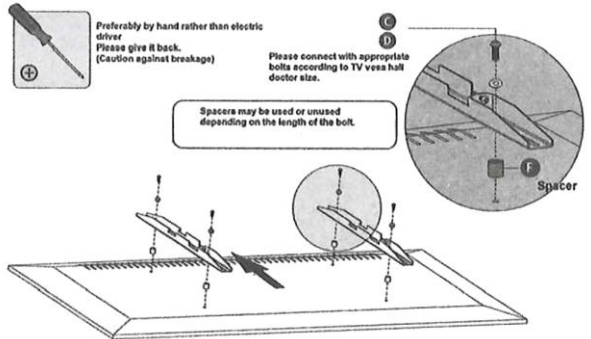


5. Camera shelf + Universal plate

Secure the camera rack at the desired



6. TV + TV connection Bracket installation



7. TV Installation (complete)

The installation is completed by hanging the TV connection bracket on the universal plate.



When you set up the TV. Please listen together if possible. (Drop caution)

