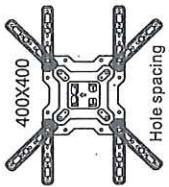
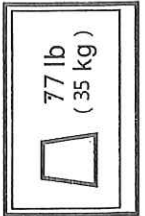
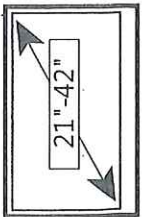
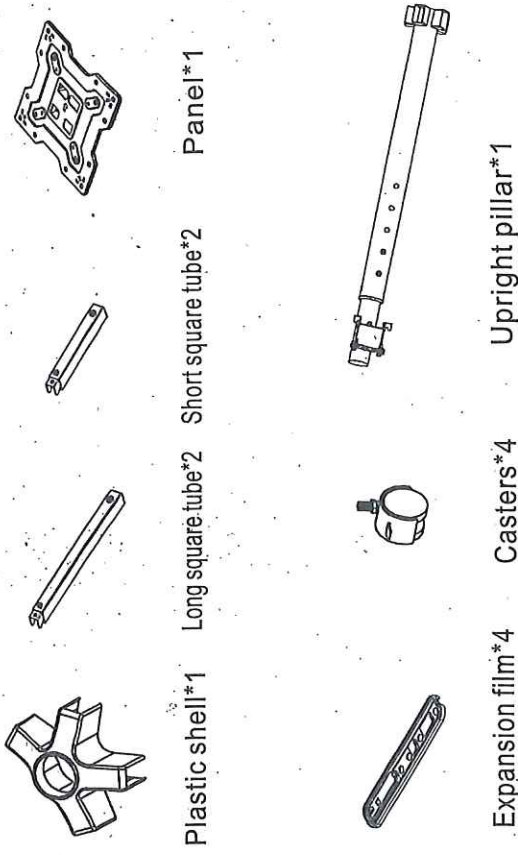


Warning!

Improper assembly or installation may result in serious injury, death or property damage. Please read the instructions and warning information carefully before assembly or installation. If you cannot understand this instruction or have any questions or questions, please contact your local professional installer. Do not assemble or install the product or accessory if it is damaged or missing. If you need replacement parts or other items, please contact your local dealer for assistance. This product is suitable for most 21"-42" LCD/plasma screens, bearing range up to 77 lb/35 kg; Do not use these products for purposes other than the purpose for which they are designed. This product design contains sliding parts, for safety, please use with care.



Parts List



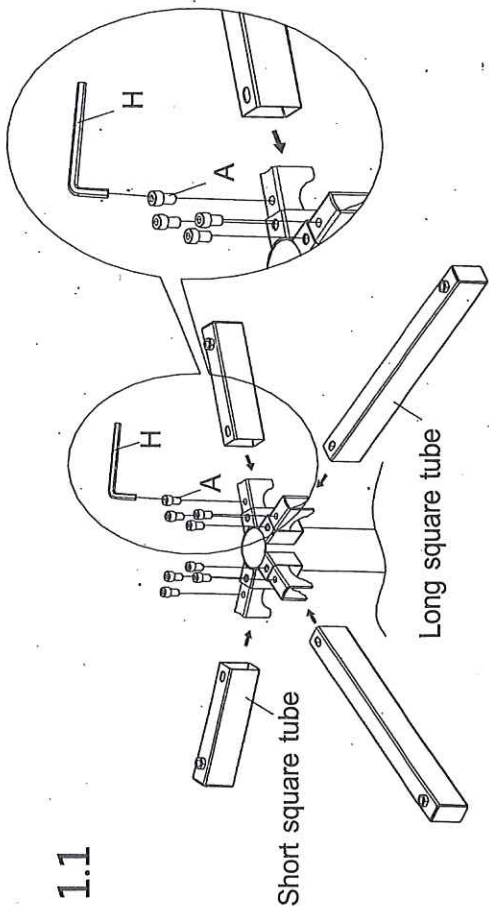
Parts List

A		ϕ 10	1
		M10x35	1
		M8x60	10
B		M8	10
		ϕ 8	20
		M6x12	2
C		M6x10	4
		M6	4
D		M6x20	4
E		M5x20	4
F		M4x20	4
G		ϕ 10	4
		ϕ 6	4
H			1
		M10	4
			1

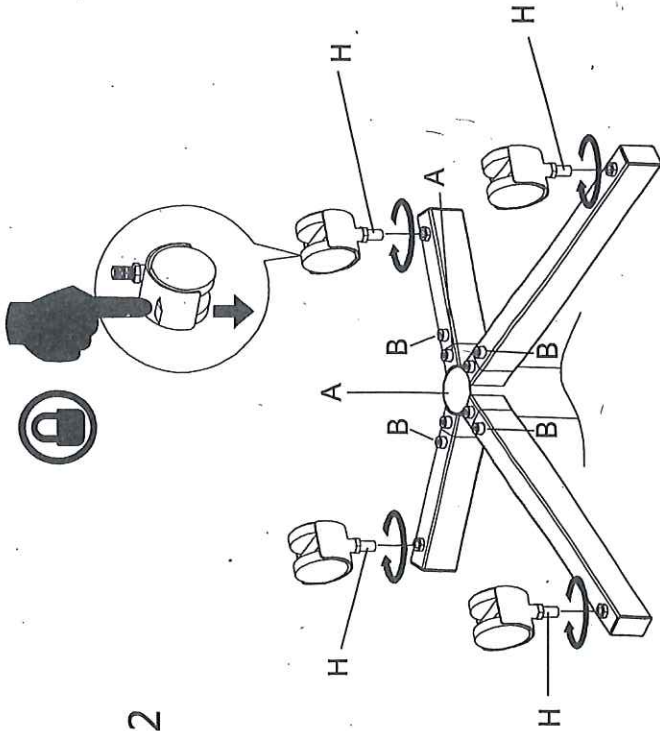
Step 1

The installation of the base and the upright pillar

1.1

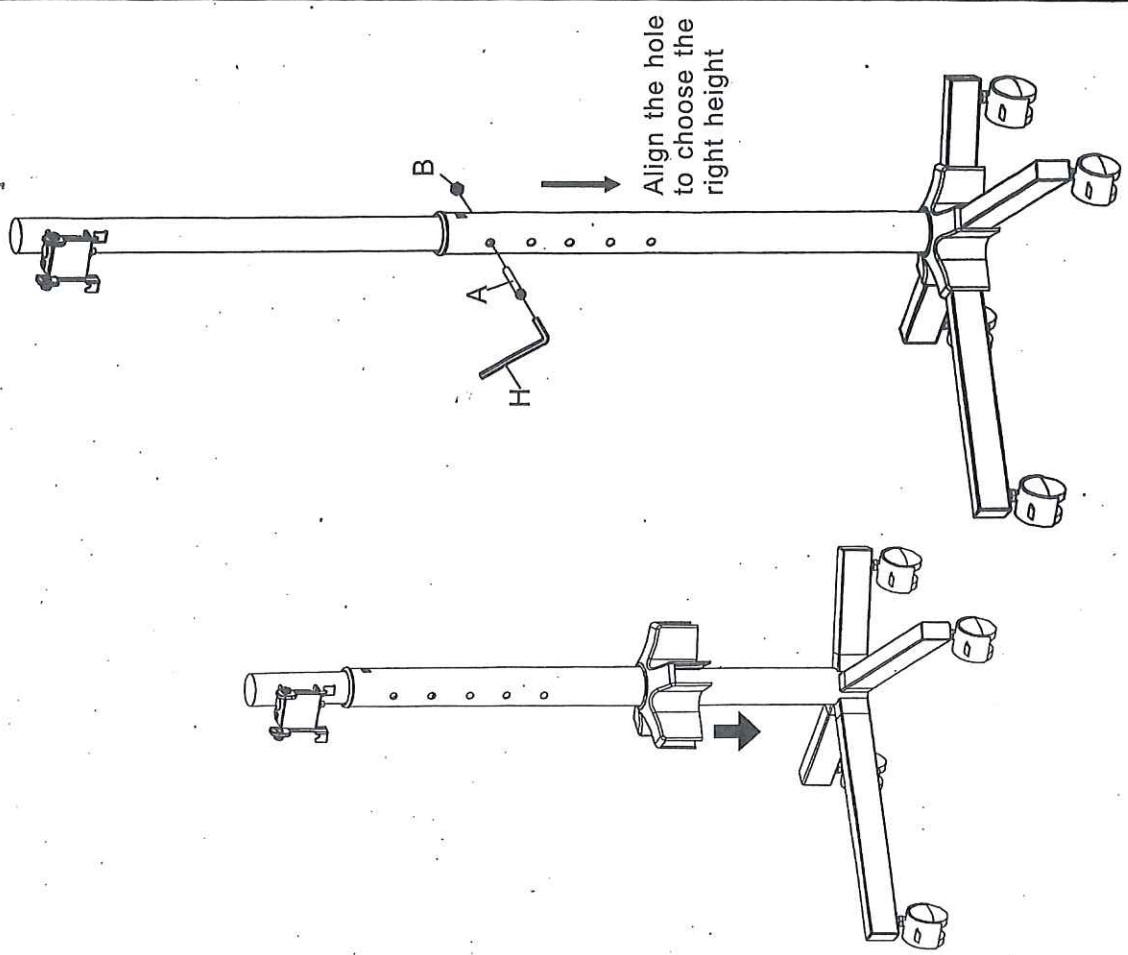


1.2



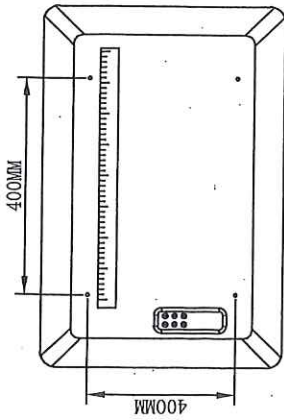
Step 2

The installation of the plastic shell cover and the adjustment of the upright pillar

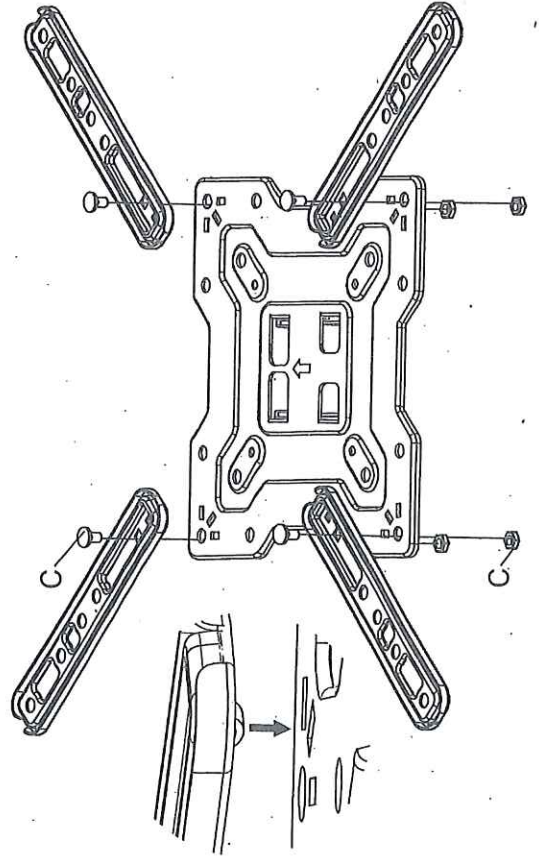
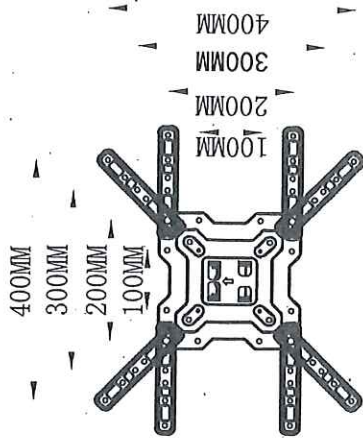


Step 3 Installation of the panel and expansion piece

Preparations before installation:
Check the specifications of the VESA hole on the back of the TV

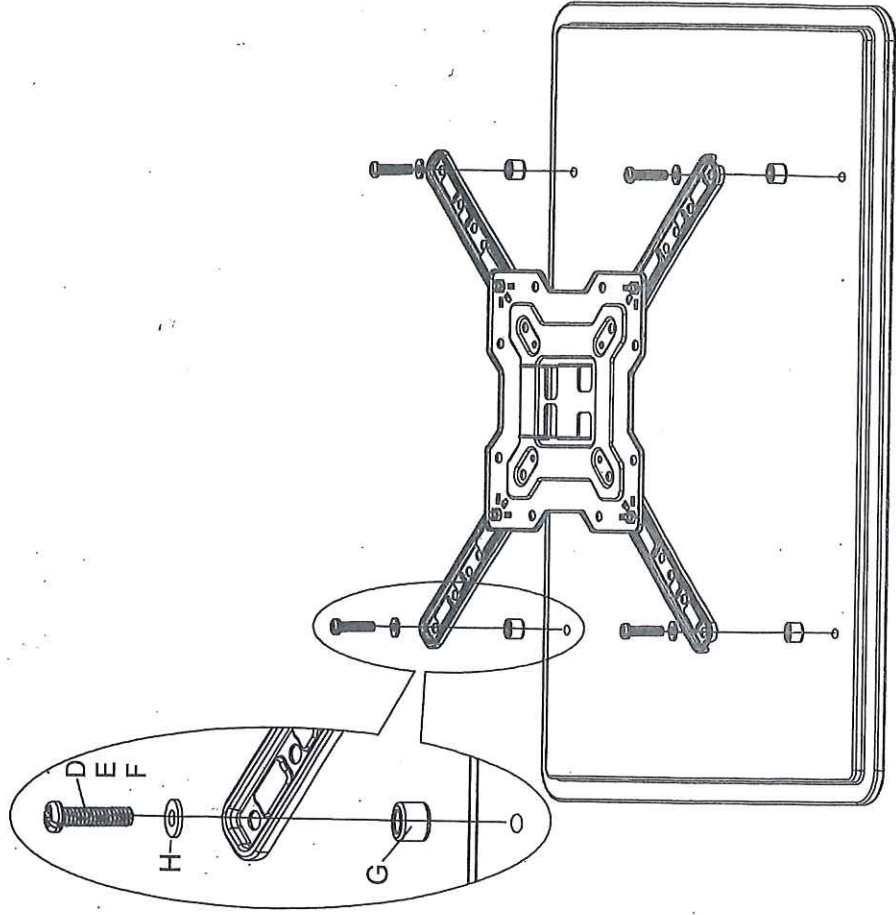
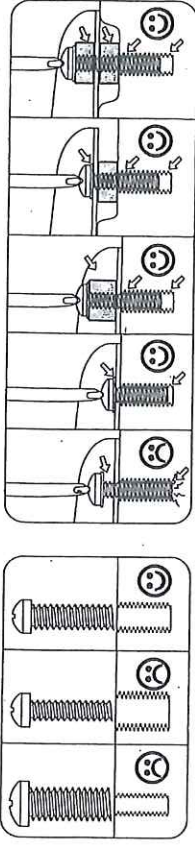


Installation method



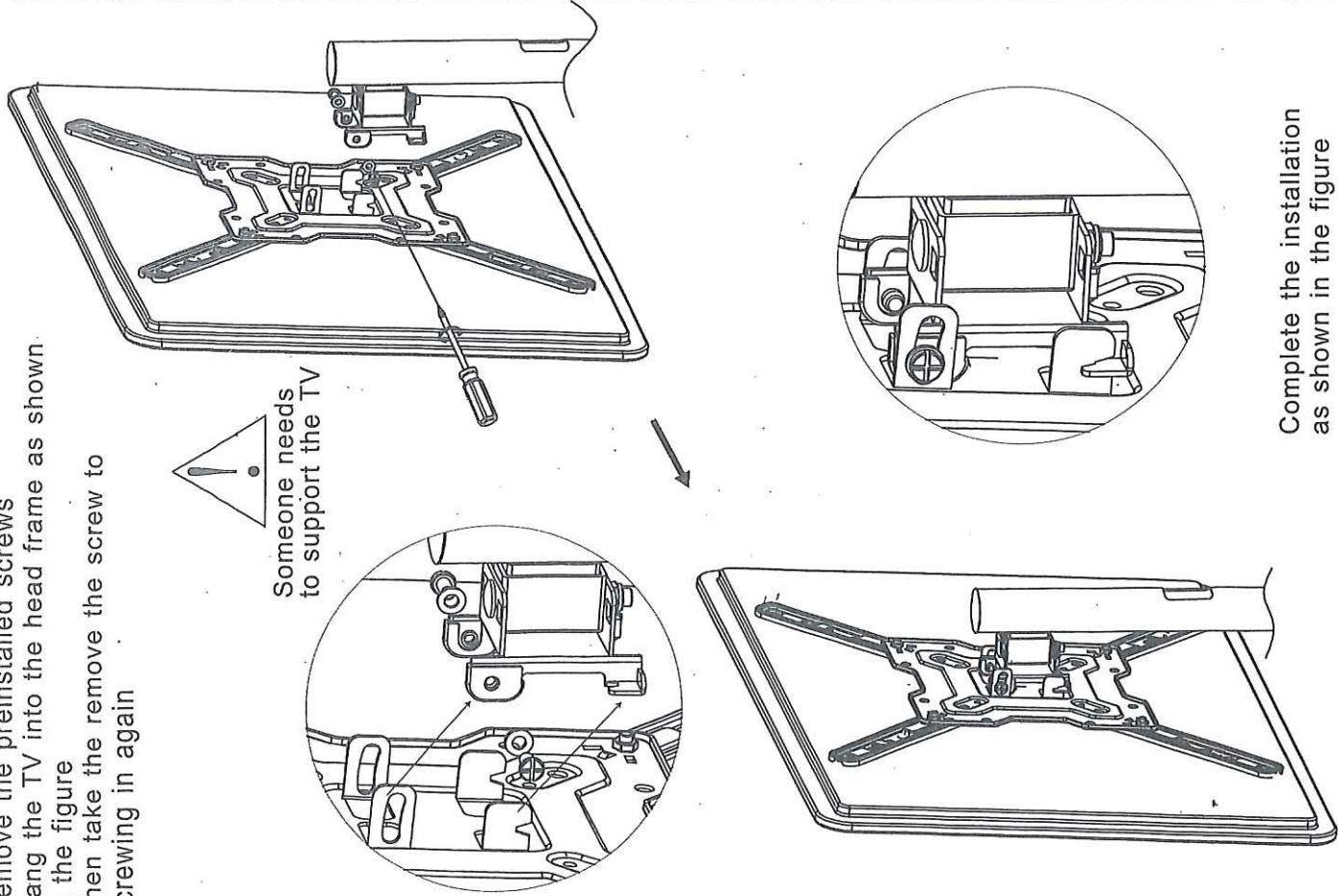
Step 4 TV installation

Please use screws that match the holes; Leave a proper distance between the screw and the TV (if the screws are too long, please use plastic feet to prevent damage to the TV)



Step 5 Installation of TV and bracket

Remove the preinstalled screws
Hang the TV into the head frame as shown
in the figure
Then take the remove the screw to
screwing in again



Complete the installation
as shown in the figure

Step 6 Product parameters

